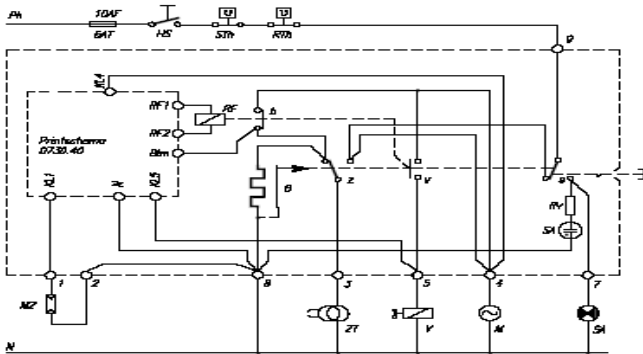


# Understanding Schematics

## *And Electrical Troubleshooting*



- *Electrical symbols*
- *Schematics VS ladder diagrams*
- *Schematics and troubleshooting*

***Instructor:*** Dave Hartwell

***When:*** Tuesday, 6-18-19, 12:30 – 3:30 PM

***Where:*** F. W. Webb

6792 Townline Rd., Syracuse

***Tuition:*** \$25.00

***Register online @ <http://eseany.org/training.php>***

***For more info call Oilheat Associates @ 516-679-4686***