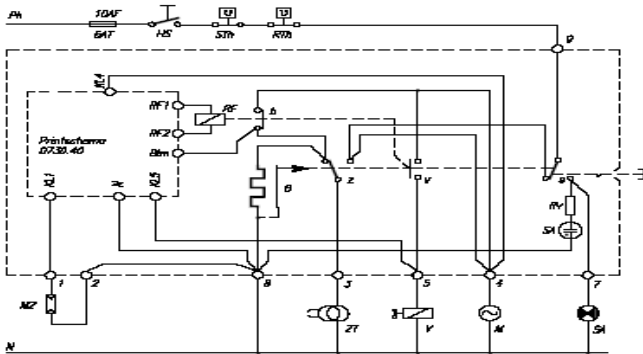


# Understanding Schematics

## *The roadmap to successful troubleshooting*



- *Electrical symbols*
- *Schematics VS ladder diagrams*
- *Schematics and troubleshooting*

***Instructor:*** Dave Hartwell  
***When:*** Thursday, July 26, 12:30 – 3:30 PM  
***Where:*** F. W. Webb  
600 Corporate Blvd., Newburgh  
***Tuition:*** \$25.00

*Register online @ <http://eseany.org/training.php>*

*For more info call Oilheat Associates @ 516-679-4686*